

TO39 RESISTANCE WELDED PACKAGE

PRODUCT FEATURES

- Size $\phi 9.15 \times 3.3$ mm
- The optional frequency can be customized
- High transmit and receive sensitivity
- High temperature resistance and impact resistance
- Good power and reliability
- RoHS compliant

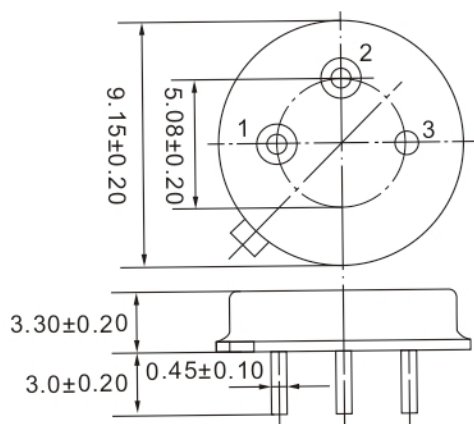
PRODUCT PHOTO



PRODUCT SPECIFICATIONS

Item		Minimum	Typical	Maximum	Unit	
Frequency Range	f_c	154~1000MHz			MHz	
Standard Frequency		315,330, 370,433.92,868,915			MHz	
Frequency Tolerance(at 25°C)	Δf_c	$\pm 50, \pm 75, \pm 150$ or specify			KHz	
Insertion Loss (in 50ohm system, min)	IL	1.0,1.3,1.4, 1.5 or specify			dB	
Temperature Stability	Turnover Temperature	T_0	25	40	55	°C
	Turnover Frequency	f_0		f_c		
	Frequency Temperature Coefficient	FTC		0.032		ppm/°C
Frequency Aging	Absolute Value during the First Year	$ f_A $		≤ 10		ppm/yr
DC Insulation Resistance between Any Two Pins			1.0			M Ω
Operating Temperature Range			-40~+85		°C	
Storage Temperature Range			-55~+125		°C	

PACKAGE OUTLINE / DIMENSIONS



Pin No.	Description
1	Input/ Output
2	Output/ Input
3	Case Ground