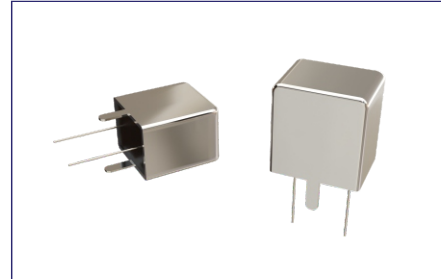


MonoIithic CRYSTAL FILTER PACKAGE

PRODUCT FEATURES

- Frequency Range : 7.8MHz~70MHz
- Low Insertion loss
- High selectivity
- Shock Resistant, High reliability
- RoHS compliant, Pb-Free and Halogen-Free

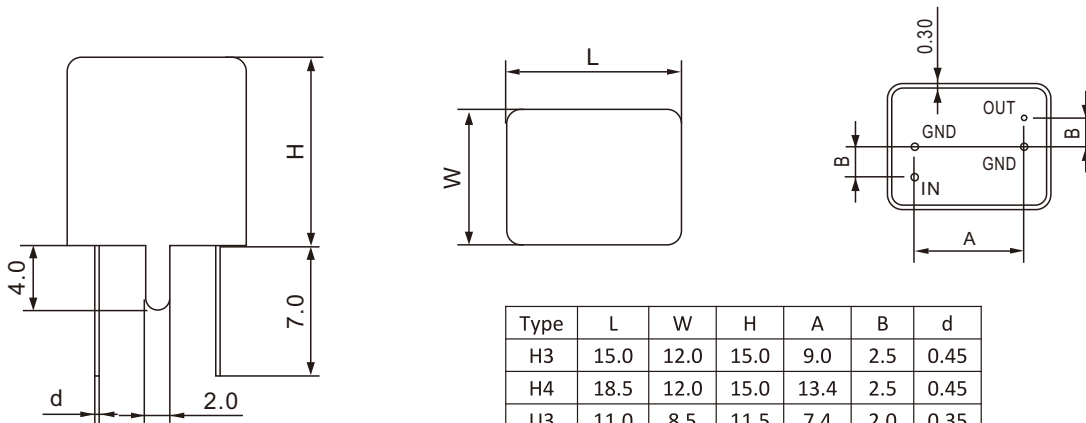
PRODUCT PHOTO



PRODUCT SPECIFICATIONS

Type	Frequency (MHz)	Bandwidth		Stop Band Width				Ripple (dB)	Insertion Loss(dB)	Guaranteed Attenuation (dB)	Terminating Impedance (Ω//pF)	No of Poles	Size (mm)
		dB	KHz	dB	KHz	dB	KHz						
10M7.5C	10.7	3	3.75	45	8.75	65	12.5	2	3.5	65	1.8k//3.5	6	H3
10M12C	10.7	3	6	45	14	60	20	2	2.5	65	2.8k//1	6	H3
10M15C	10.7	3	7.5	45	17.5	65	25	2	3	65	3.0k//1.5	6	H3
10M7.5D	10.7	6	3.75	65	8.75	90	12.5	2	4	80	1.8k//3.5	8	H4
10M12D	10.7	6	6	65	14	90	20	2	4	80	2.8k//1	8	H4
10M15D	10.7	3	7.5	70	17.5	90	25	2	4	80	3.0k//1.5	8	H4
10M04D	10.695	6	2	-	-	80	5	2	4	90	900//10	8	H4
10M01D	10.239	6	0.5	-	-	60	1.5	2	6	60	380//10	8	H4
10M2.4D	10.695	6	1.2	40	2.5	60	3	2	4	60	200	8	H4
21M7.5C	21.4	3	3.75	45	8.75	65	12.5	2	3.5	65	850//5	3	U3
21M12C	21.4	3	6	45	15	65	20	2	3	65	1.2k//2.5	3	U3
21M15C	21.4	3	7.5	45	18	65	25	2	3.5	65	1.5k//2	1	U3
21M7.5D	21.4	6	3.75	65	9	90	12.5	2	4	80	850//5	4	U4
21M12D	21.4	6	6	65	15	90	20	2	4	80	1.2k//2.5	4	U4
21M15D	21.4	6	7.5	65	18	90	25	2	4	80	1.8k//2	1	U4

PACKAGE OUTLINE / DIMENSIONS



Type	L	W	H	A	B	d
H3	15.0	12.0	15.0	9.0	2.5	0.45
H4	18.5	12.0	15.0	13.4	2.5	0.45
U3	11.0	8.5	11.5	7.4	2.0	0.35
U4	13.4	8.5	11.5	9.8	2.0	0.35