

Features

- Ultra small mold type.
- Low VF
- High reliability

Mechanical Data

- Case: SOD-723 Standard package, molded plastic.
- Terminals: Solderable per MIL-STD-750, method 2026.
- Polarity: Indicated by cathode band.
- Mounting position: Any.



Marking:F

Circuit Diagram



Maximum Rating (at TA=25°C unless otherwise noted)

| Parameter | Conditions | Symbol | Limits | Unit |
|-----------------------------------|---------------|-----------|-------------|------|
| Reverse voltage (DC) | | V_R | 40 | V |
| Average rectified forward current | | I_o | 100 | mA |
| Forward current surge peak | 60Hz for 1cyc | I_{FSM} | 500 | mA |
| Junction temperature | | T_j | +125 | °C |
| Storage temperature | | T_{STG} | -40 to +125 | °C |

Electrical Characteristics (at TA=25°C unless otherwise noted)

| Parameter | Conditions | Symbol | Min | Typ | Max | Unit |
|-----------------|-----------------------|--------|-----|-----|------|---------------|
| Forward voltage | $I_F = 10 \text{ mA}$ | V_F | - | - | 0.35 | V |
| Reverse current | $V_R = 10 \text{ V}$ | I_R | - | - | 10 | μA |

Typical Electrical Characteristic Curves

Fig.1 - Forward Characteristics

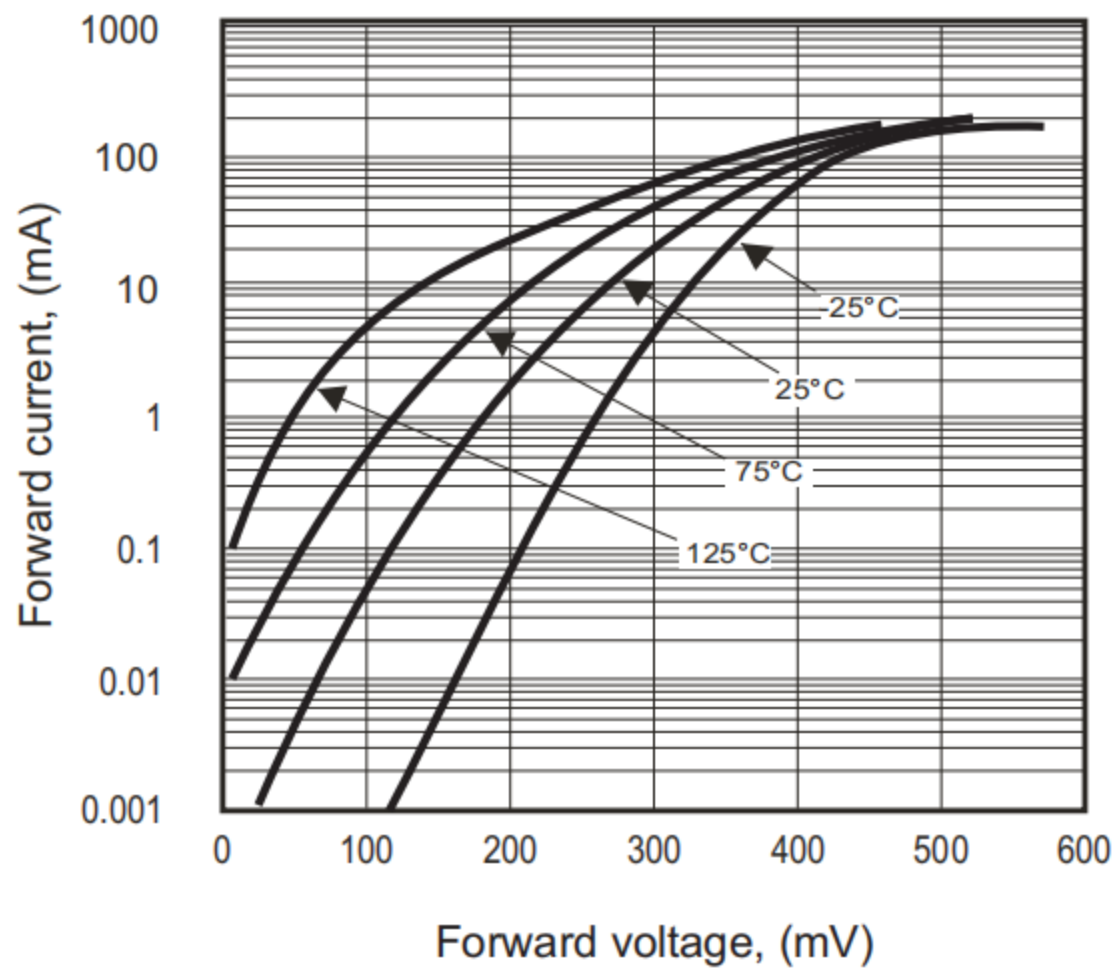


Fig.2 - Reverse Characteristics

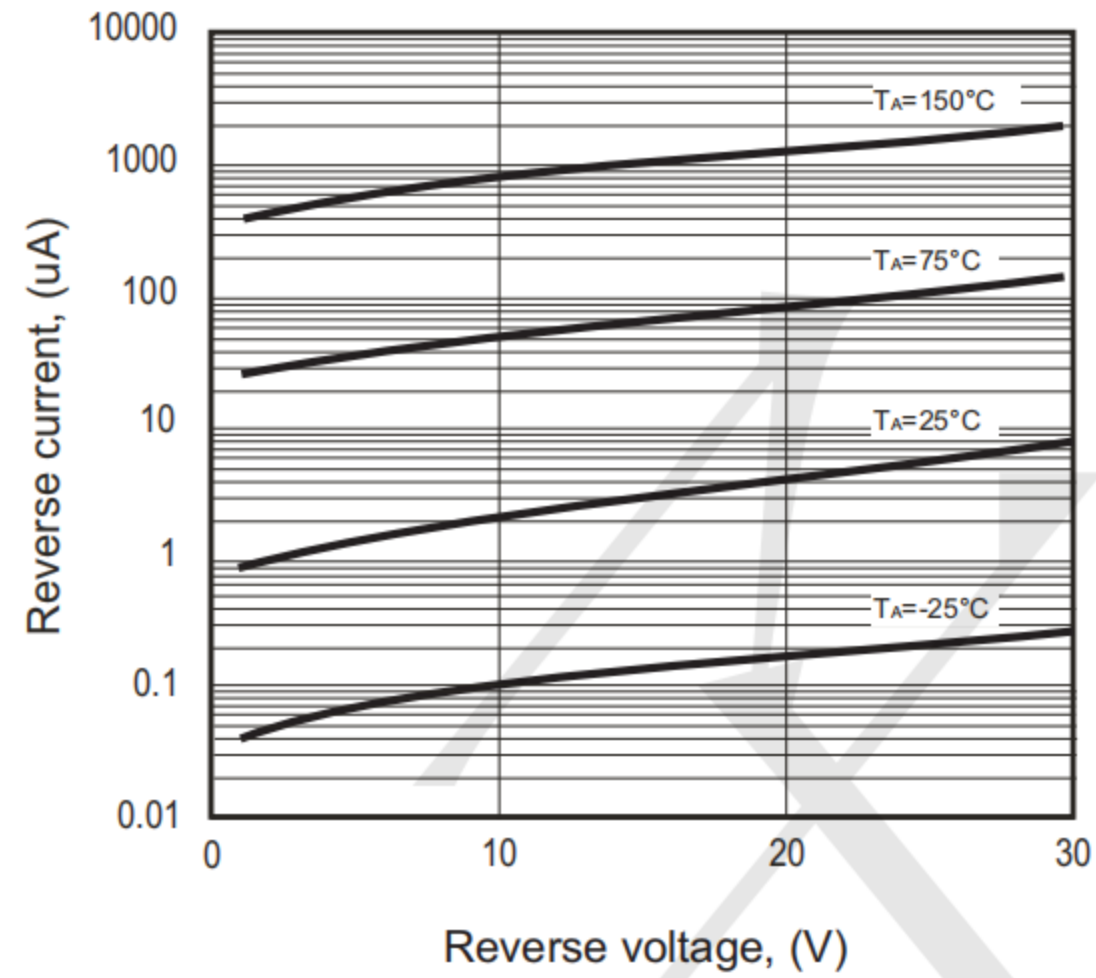


Fig.3 - Capacitance Between Terminals

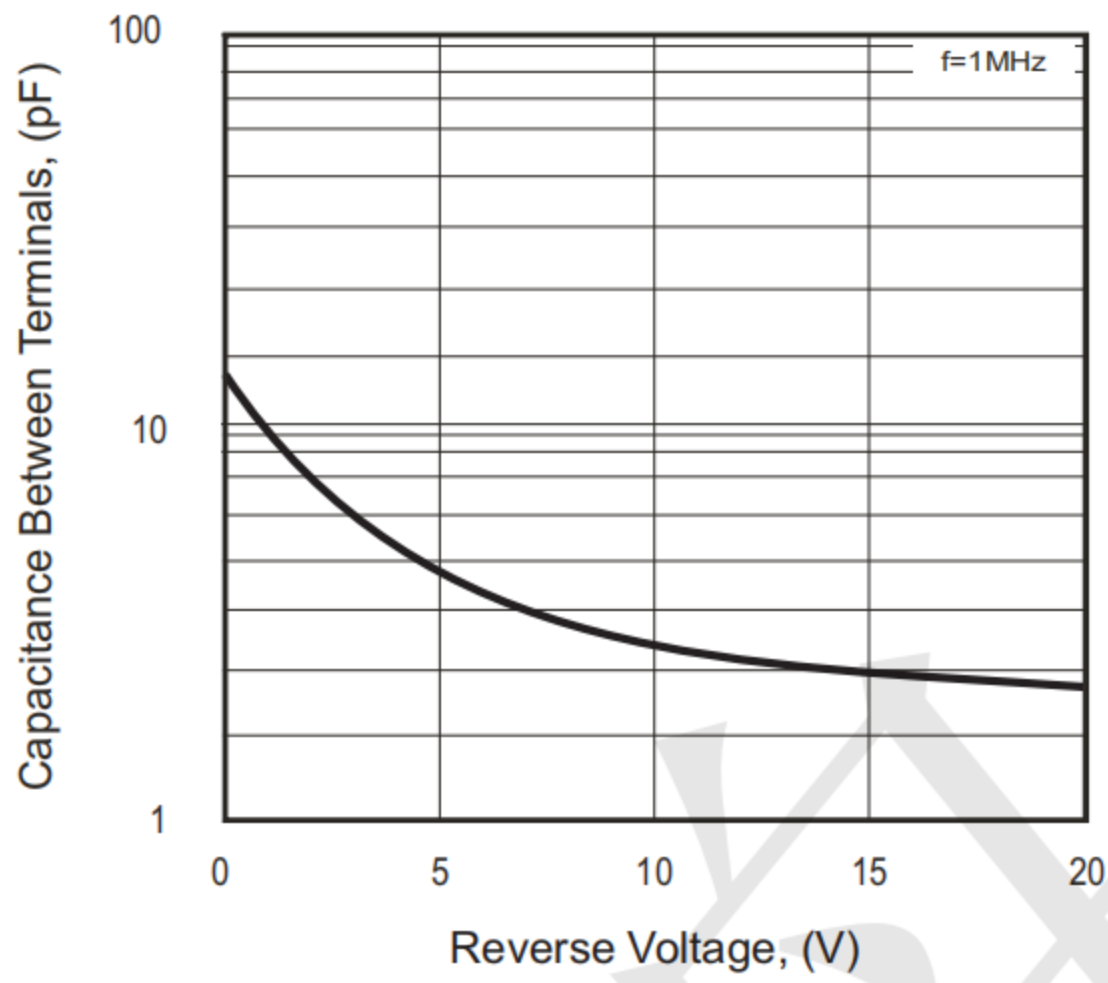


Fig.4 - IFSM-Cycle Characteristics

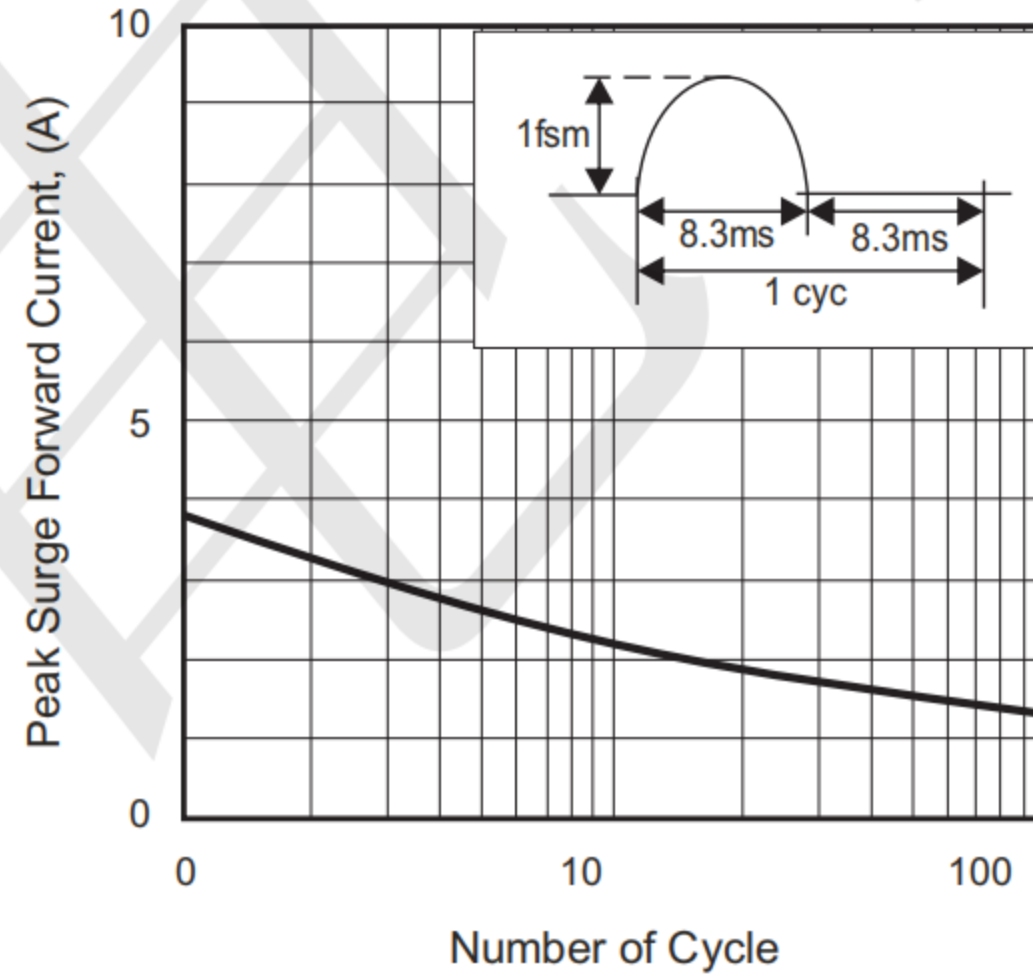
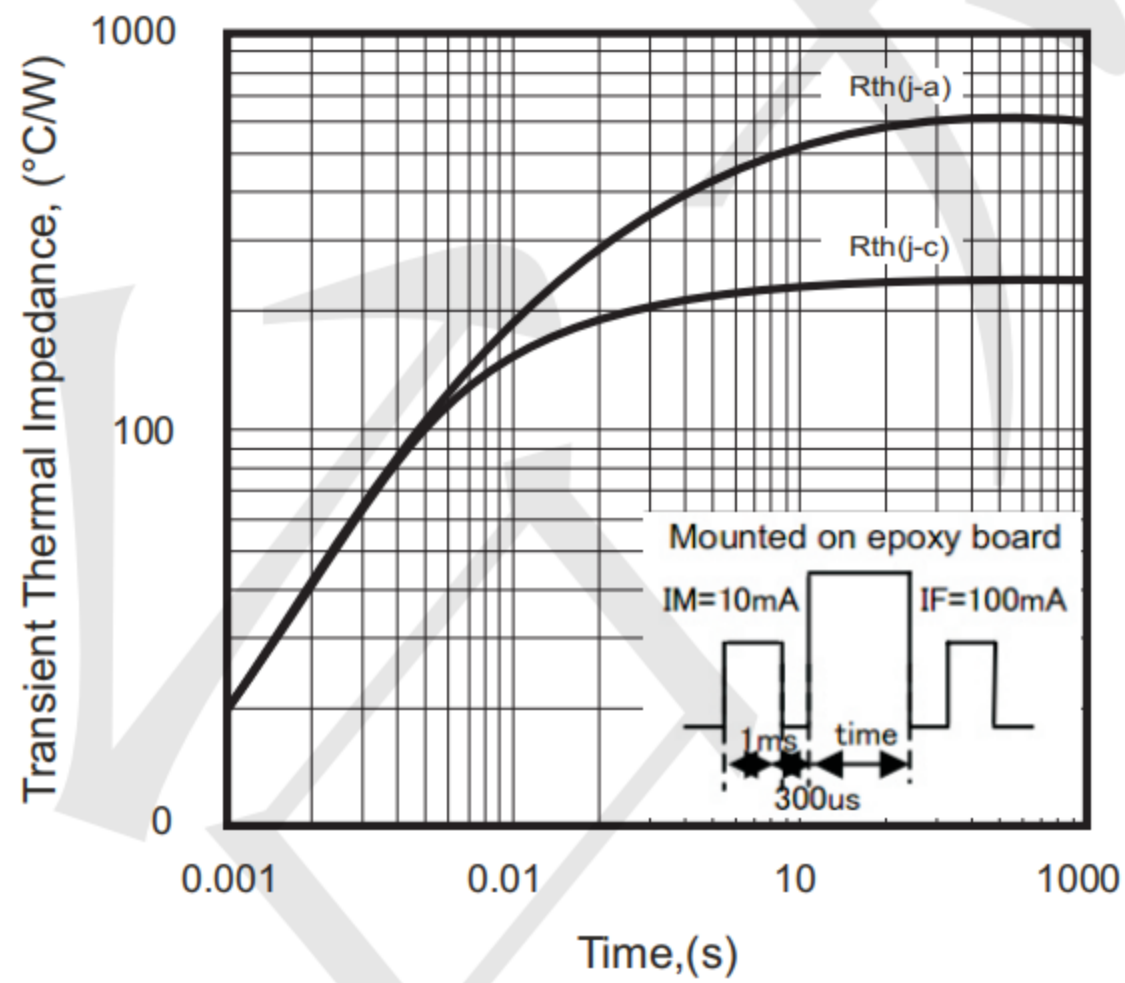
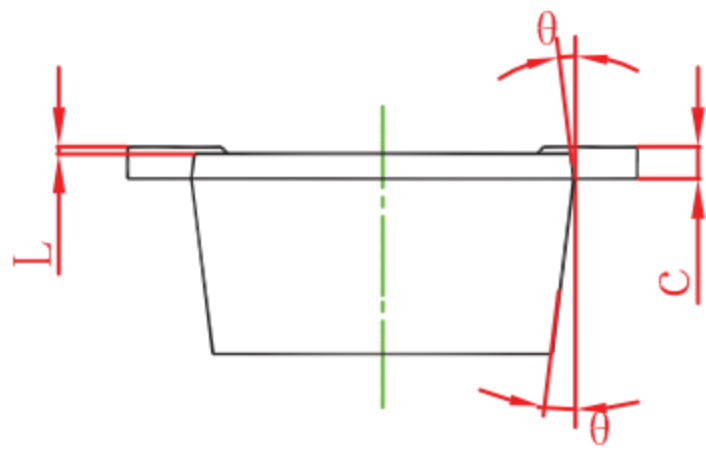
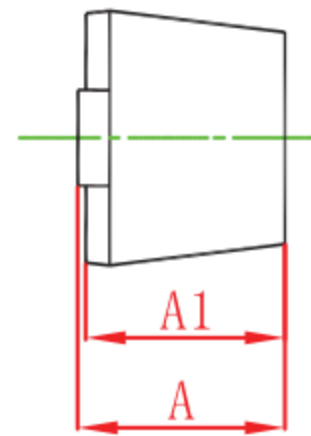
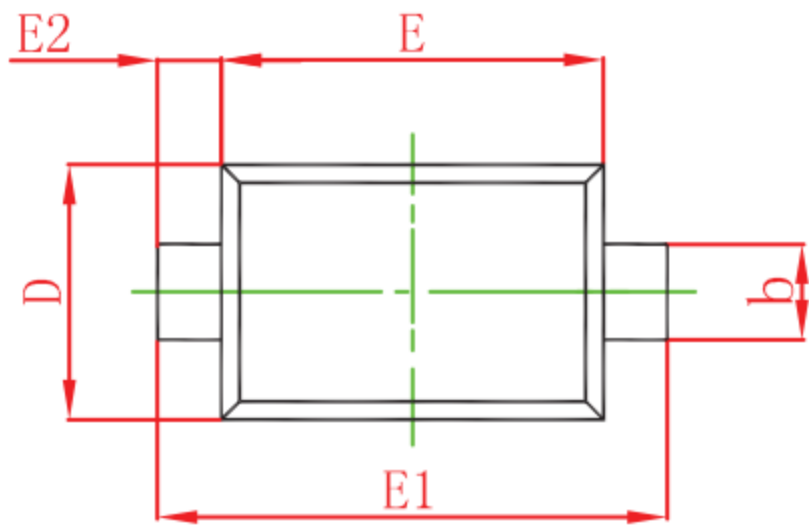


Fig.5 - Rth-t Characteristics

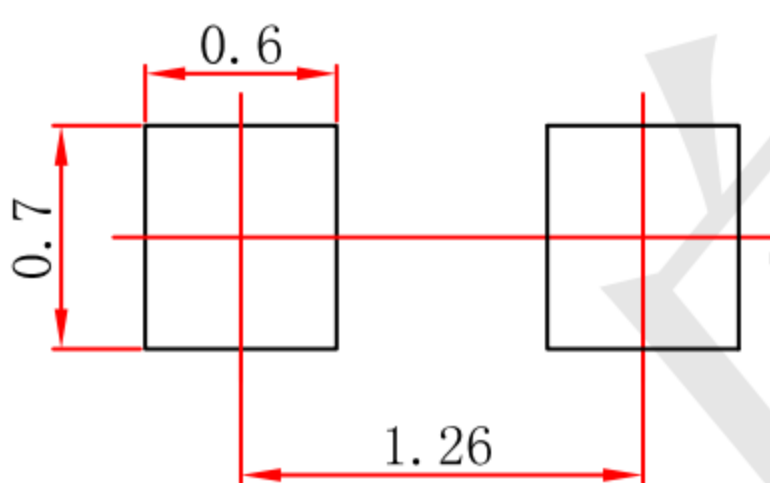


Outline Drawing - SOD-723 (unit: mm)



| Symbol | Dimensions In Millimeters | | Dimensions In Inches | |
|----------|---------------------------|-------|----------------------|-------|
| | Min | Max | Min | Max |
| A | 0.525 | 0.650 | 0.021 | 0.026 |
| A1 | 0.515 | 0.580 | 0.020 | 0.023 |
| b | 0.250 | 0.350 | 0.010 | 0.014 |
| c | 0.080 | 0.150 | 0.003 | 0.006 |
| D | 0.550 | 0.650 | 0.022 | 0.026 |
| E | 0.900 | 1.100 | 0.035 | 0.043 |
| E1 | 1.300 | 1.500 | 0.051 | 0.059 |
| E2 | 0.200 REF | | 0.008 REF | |
| L | 0.010 | 0.070 | 0.001 | 0.003 |
| θ | 7° REF | | 7° REF | |

Mounting Pad Layout-SOD723 (unit: mm)



- Note:
1. Controlling dimension: in millimeters.
 2. General tolerance: ± 0.05 mm.
 3. The pad layout is for reference purposes only.