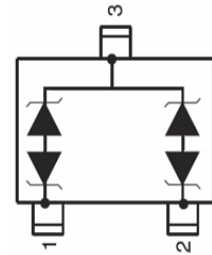
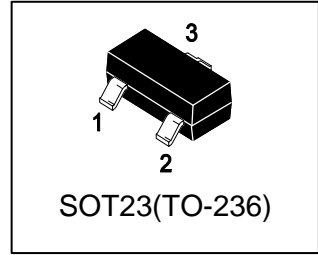


# LR3105LT1G

## S-LR3105LT1G

ESD Protection Diode



### 1.FEATURES

- Ultra low leakage: nA level.
- Low clamping voltage.
- We declare that the material of product compliance with RoHS requirements and Halogen Free.
- S- Prefix for Automotive and Other Applications Requiring Unique Site and Control Change Requirements; AEC-Q101 Qualified and PPAP Capable.

### 2.APPLICATIONS

- CAN bus protection
- Automotive applications

### 3.DEVICE MARKING AND ORDERING INFORMATION

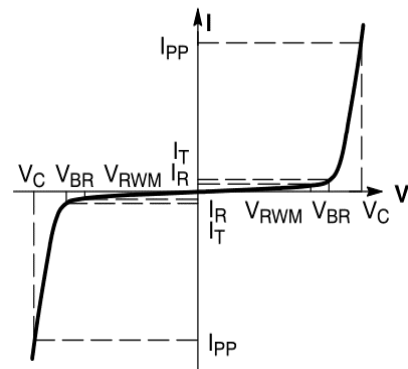
Device	Marking	Shipping
LR3105LT1G	105	3000/Tape&Reel

### 4.MAXIMUM RATINGS(Ta = 25°C)

Parameter	Symbol	Limits	Unit
IEC 61000-4-2 (ESD) Contact		±30	kV
Air		±30	
peak pulse power@8/20 μs	PPP	350	W
peak pulse current @8/20 μs	IPP	8	A
Storage Temperature Range	Tstg	-55 ~ +150	°C
Operating Temperature Range	TJ	-55 ~ +150	°C

### 5.ELECTRICAL CHARACTERISTICS (Ta= 25°C)

Symbol	Parameter
IPP	Maximum Reverse Peak Pulse Current
VC	Clamping Voltage @ IPP
VRWM	Working Peak Reverse Voltage
IR	Maximum Reverse Leakage Current @ VRWM
VBR	Breakdown Voltage @ IT
IT	Test Current
IF	Forward Current
VF	Forward Voltage @ IF
Ppk	Peak Power Dissipation
C	Capacitance @ VR = 0 and f = 1.0 MHz



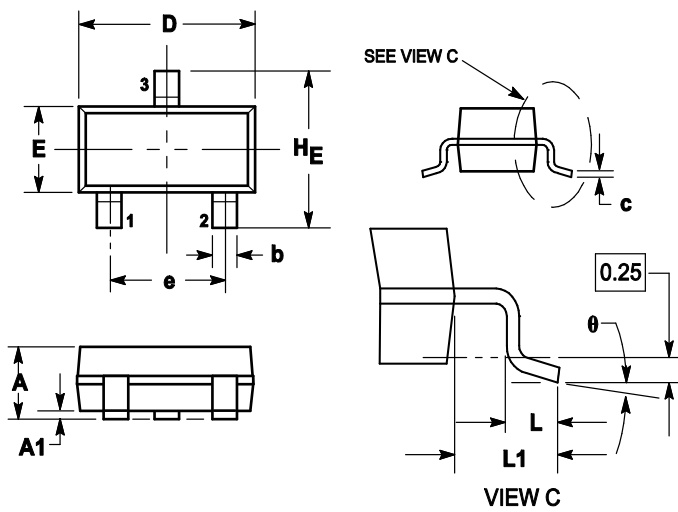
**6. ELECTRICAL CHARACTERISTICS (Ta= 25 °C)**

Characteristic	Symbol	Min.	Typ.	Max.	Unit
Reverse stand-off voltage	VRWM	-	-	32	V
Reverse leakage current (VRWM = 24 V, Pin 1、 2to Pin 3) (VRWM = 24 V, Pin 3 to Pin 1、 2)	IRM	- -	- -	200 200	nA
breakdown voltage (IT = 1 mA, Pin 1、 2to Pin 3 ) (IT = 1 mA, Pin 3 to Pin 1、 2 )	VBR	35.6	-	-	V
Clamping Voltage (IPP = 5A (8 x 20µs pulse)	VC	-	-	59	V
Clamping Voltage (IPP = 8A (8 x 20µs pulse)	VC	-	-	66	V
Junction Capacitance (VR = 0V, f = 1MHz)	CJ	-	30	-	pF

### 7. OUTLINE AND DIMENSIONS

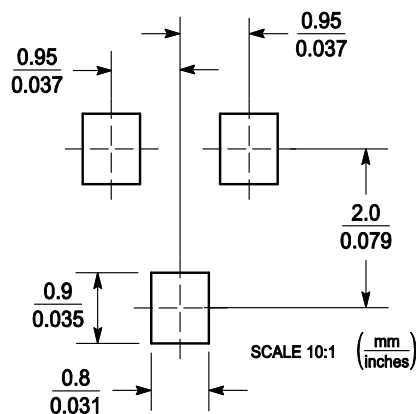
Notes:

1. DIMENSIONING AND TOLERANCING PER ANSI Y14.5M, 1982.
2. CONTROLLING DIMENSION: MILLIMETERS.
3. MAXIMUM LEAD THICKNESS INCLUDES LEAD FINISH. MINIMUM LEAD THICKNESS IS THE MINIMUM THICKNESS OF BASE MATERIAL.
4. DIMENSIONS D AND E DO NOT INCLUDE MOLD FLASH, PROTRUSIONS OR GATE BURRS.



DIM	MILLIMETERS			INCHES		
	MIN	NOM	MAX	MIN	NOM	MAX
A	0.89	1	1.11	0.035	0.04	0.044
A1	0.01	0.06	0.1	0.001	0.002	0.004
b	0.37	0.44	0.5	0.015	0.018	0.02
c	0.09	0.13	0.18	0.003	0.005	0.007
D	2.80	2.9	3.04	0.11	0.114	0.12
E	1.20	1.3	1.4	0.047	0.051	0.055
e	1.78	1.9	2.04	0.07	0.075	0.081
L	0.10	0.2	0.3	0.004	0.008	0.012
L1	0.35	0.54	0.69	0.014	0.021	0.029
HE	2.10	2.4	2.64	0.083	0.094	0.104
theta	0°	---	10°	0°	---	10°

### 8. SOLDERING FOOTPRINT



## **DISCLAIMER**

- Curve guarantee in the specification. The curve of test items with electric parameter is used as quality guarantee. The curve of test items without electric parameter is used as reference only.
- Before you use our Products for new Project, you are requested to carefully read this document and fully understand its contents. LRC shall not be in any way responsible or liable for failure, malfunction or accident arising from the use of any LRC's Products against warning, caution or note contained in this document.
- All information contained in this document is current as of the issuing date and subject to change without any prior notice. Before purchasing or using LRC's Products, please confirm the latest information with a LRC sales representative.