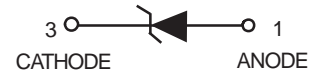
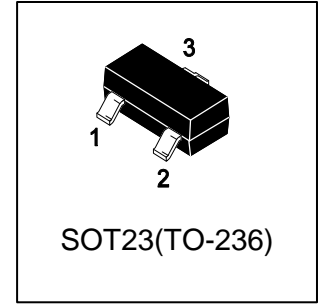


# LBZX84B6V2LT1G

## S-LBZX84B6V2LT1G

### Zener Voltage Regulators



#### 1. FEATURES

- Non-wire bonding structure improves
- Silicon epitaxial planar
- We declare that the material of product compliance with RoHS requirements and Halogen Free.
- S- prefix for automotive and other applications requiring unique site and control change requirements; AEC-Q101 qualified and PPAP capable.

#### 2. DEVICE MARKING AND ORDERING INFORMATION

Device	Marking	Shipping
LBZX84B6V2LT1G	E2	3000/Tape&Reel
S-LBZX84B6V2LT1G	E2	3000/Tape&Reel

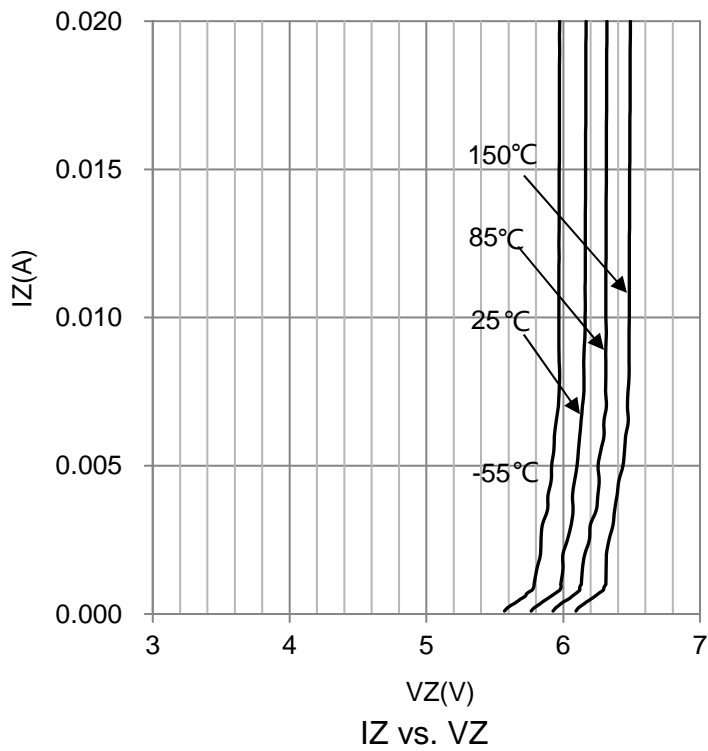
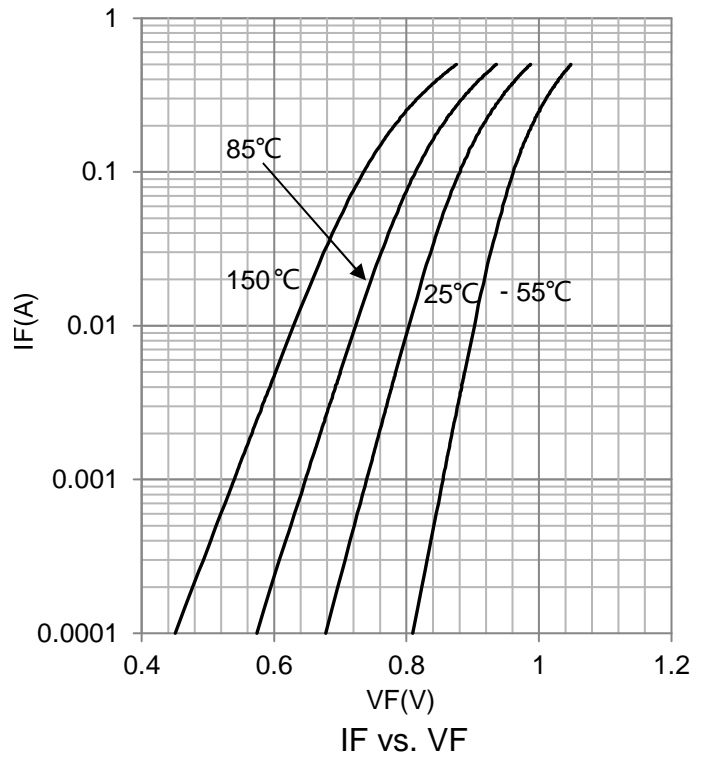
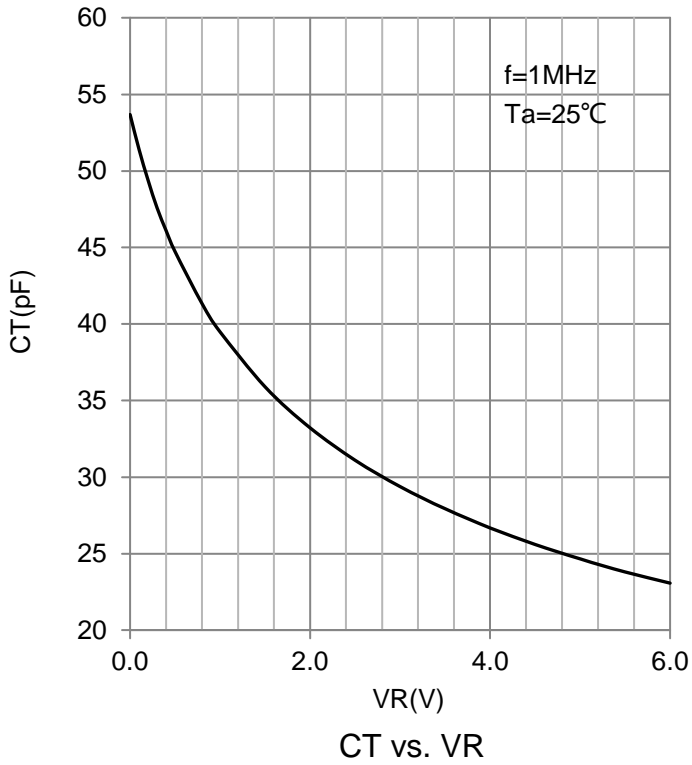
#### 3. THERMAL CHARACTERISTICS

Parameter	Symbol	Limits	Unit
Power dissipation	PD	225	mW
Junction temperature	TJ	+150	°C
Storage temperature	Tstg	-55 ~ +150	°C
Operating temperature	Topr	-55 ~ +150	°C

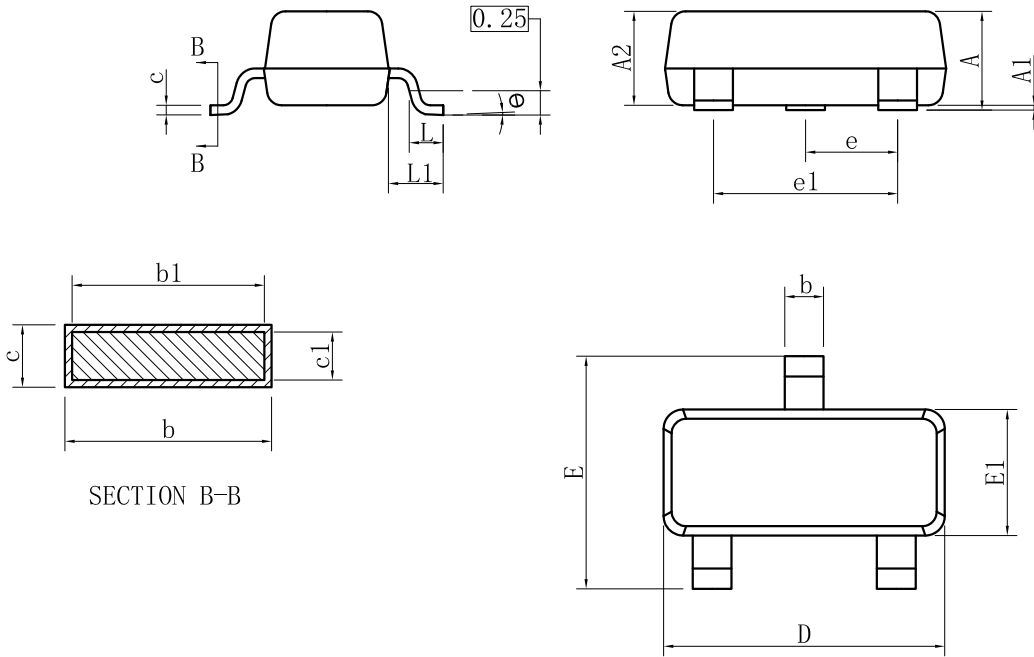
#### 4. ELECTRICAL CHARACTERISTICS (Ta= 25°C)

Characteristic	Symbol	Min.	Typ.	Max.	Unit
Zener Voltage (IZT = 5 mA)	VZ	6.06	-	6.33	V
Operating Resistance (IZ = 5mA)	ZZ	-	-	60	Ohm
Rising Operating Resistance (IZ = 0.5mA)	ZZK	-	-	100	Ohm
Reverse current (VR=3V)	IR	-	-	1	μA
Forward voltage (IF = 10mA)	VF	-	-	1	V

**5. ELECTRICAL CHARACTERISTICS CURVES**



### 6.OUTLINE AND DIMENSIONS

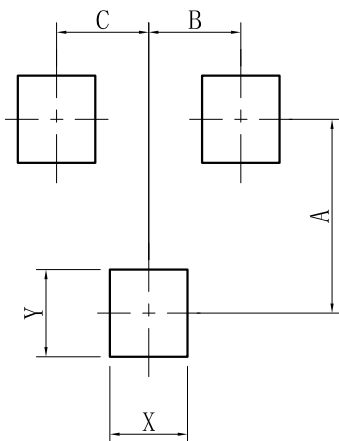


SOT23			
DIM	MIN	NOR	MAX
A	0.89	-	1.12
A1	0.01	-	0.10
A2	0.88	0.95	1.02
b	0.30	-	0.50
b1	0.30	0.40	0.45
c	0.08	-	0.20
c1	0.08	0.10	0.16
D	2.80	2.90	3.04
E	2.10	-	2.64
E1	1.20	1.30	1.40
e	0.95BSC		
e1	1.90BSC		
L	0.40	0.46	0.60
L1	0.54REF		
θ	0°	-	8°
All Dimensions in mm			

#### GENERAL NOTES

- 1.Top package surface finish Ra0.4±0.2um
- 2.Bottom package surface finish Ra0.7±0.2um
- 3.Side package surface finish Ra0.4±0.2um

### 7.SOLDERING FOOTPRINT



SOT-23	
DIM	(mm)
X	0.80
Y	0.90
A	2.00
B	0.95
C	0.95

## **DISCLAIMER**

- Curve guarantee in the specification. The curve of test items with electric parameter is used as quality guarantee. The curve of test items without electric parameter is used as reference only.
- Before you use our Products for new Project, you are requested to carefully read this document and fully understand its contents. LRC shall not be in any way responsible or liable for failure, malfunction or accident arising from the use of any LRC's Products against warning, caution or note contained in this document.
- All information contained in this document is current as of the issuing date and subject to change without any prior notice. Before purchasing or using LRC's Products, please confirm the latest information with a LRC sales representative.