



TO-92 Encapsulate Adjustable Reference Source

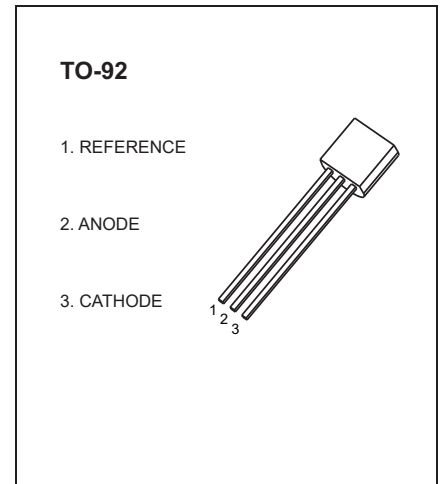
CJ432 Adjustable Accurate Reference Source

DEVICE DESCRIPTION

The CJ432 is a three-terminal Shunt Voltage Reference providing a highly accuracy 1.24V. The CJ432 thermal stability and wide operating current, makes is sritable for all variety of applications that are looking for a low cost solution with high performance.

FEATURES

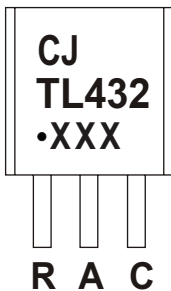
- Low dynamic output impedance
- The effective temperature compensation in the working range of full temperature
- Low output noise voltage
- Fast on -state response
- Sink current capability of 0.1mA to100mA



APPLICATION

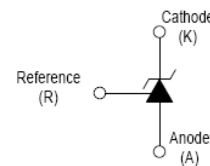
- Shunt Regulator
- High-Current Shunt Regulator
- Precision Current Limiter

MARKING



TL432=Device code
 Solid dot=Green molding compound device, if none,the normal device
 XXX=Code

Equivalent Circuit



ORDERING INFORMATION

Part Number	Package	Packing Method	Pack Quantity
CJ432	TO-92	Bulk	1000pcs/Bag
CJ432-TA	TO-92	Tape	2000pcs/Box

ABSOLUTE MAXIMUM RATINGS (Operating temperature rangeapplies unless otherwise specified)

Parameter	Symbol	Value	Unit
Cathode Voltage	V_{KA}	18	V
Cathode Current Range (continuous)	I_{KA}	100	mA
Reference Input Current Range	I_{ref}	3	mA
Power Dissipation	P_D	500	mW
Thermal Resistance from Junction to Ambient	$R_{\theta JA}$	250	$^{\circ}C/W$
Operating Junction Temperature Range	T_J	-40~+125	$^{\circ}C$
Storage Temperature Range	T_{stg}	-65~+150	$^{\circ}C$

ELECTRICAL CHARACTERISTICS

$T_a=25^\circ\text{C}$ unless otherwise specified

Parameter	Symbol	Test conditions	Min	Typ	Max	Unit
Reference input voltage (Fig 1)	V_{ref}	$V_{\text{KA}}=V_{\text{REF}}, I_{\text{KA}}=10\text{mA}$	1.2214		1.2586	V
Deviation of reference voltage over full temperature range (Fig 1)	$V_{\text{ref(dev)}}$	$V_{\text{KA}}=V_{\text{REF}}, I_{\text{KA}}=10\text{mA}$ $0^\circ\text{C}\leq T_a\leq 70^\circ\text{C}$		10	16	mV
Ratio of change in reference input voltage to the change in cathode voltage (Fig 2)	$\Delta V_{\text{ref}}/\Delta V_{\text{KA}}$	$I_{\text{KA}}=10\text{mA}$, $\Delta V_{\text{KA}}=1.25\text{V}\sim 15\text{V}$		1.0	2.4	mV/V
Reference input current	I_{ref}	$I_{\text{KA}}=10\text{mA}$, $R_1=10\text{k}\Omega$, $R_2=\infty$		0.25	0.5	μA
Deviation of reference input current over full temperature range (Fig 2)	$I_{\text{ref(dev)}}$	$I_{\text{KA}}=10\text{mA}$, $R_1=10\text{k}\Omega$, $R_2=\infty$, $0^\circ\text{C}\leq T_a\leq 70^\circ\text{C}$		0.1	0.6	μA
Minimum cathode current for regulation (Fig 1)	$I_{\text{KA(min)}}$	$V_{\text{KA}}=V_{\text{REF}}$		0.06	0.1	mA
Off-state cathode current(Fig 3)	I_{off}	$V_{\text{KA}}=15\text{V}, V_{\text{REF}}=0$		0.05	0.5	μA
Dynamic impedance	Z_{KA}	$V_{\text{KA}}=V_{\text{REF}}, I_{\text{KA}}=0.1\sim 20\text{mA}$, $f\leq 1.0\text{kHz}$		0.2	0.5	Ω

CLASSIFICATION OF V_{ref}

Rank	1%	1.5%
Range	1.2276~1.2524	1.2214~1.2586

Figure 1. Test Circuit for $V_{\text{KA}} = V_{\text{ref}}$

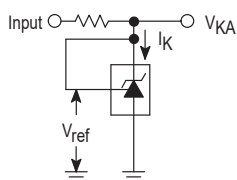


Figure 2. Test Circuit for $V_{\text{KA}} > V_{\text{ref}}$

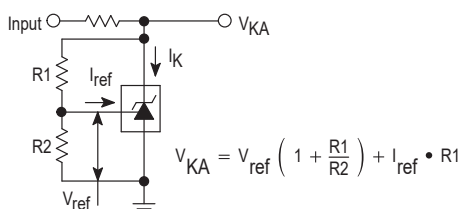
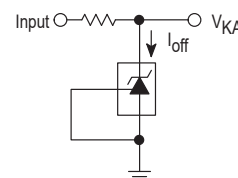
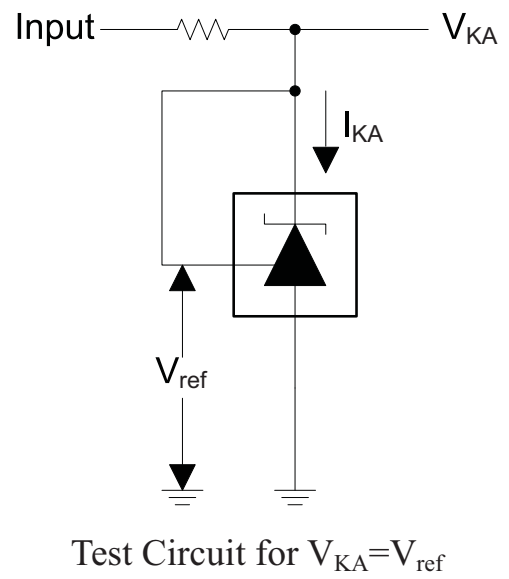
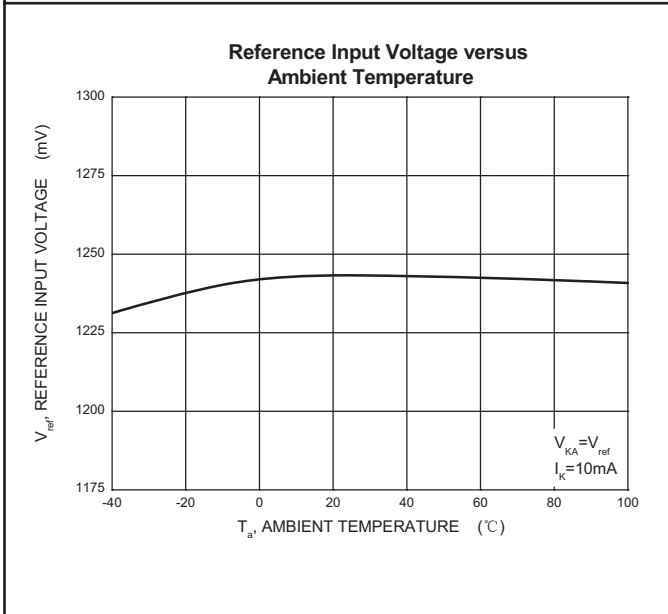
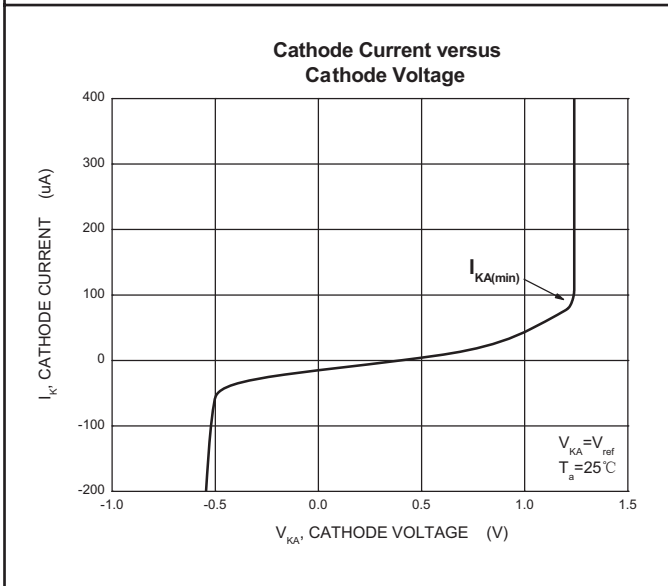
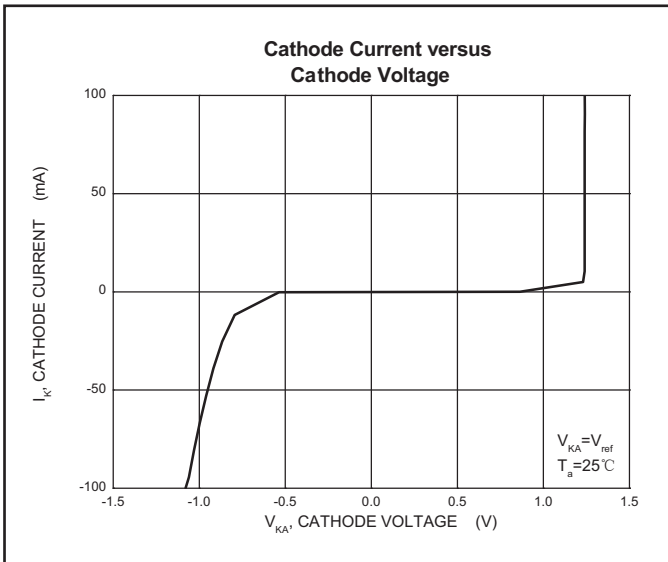


Figure 3. Test Circuit for I_{off}



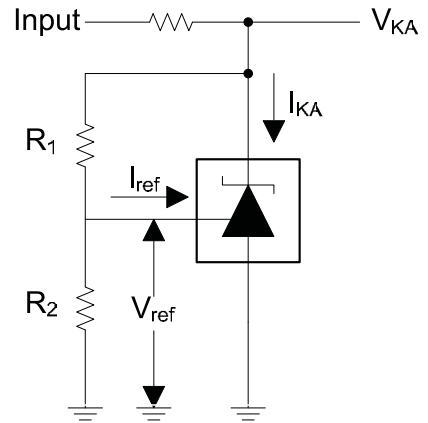
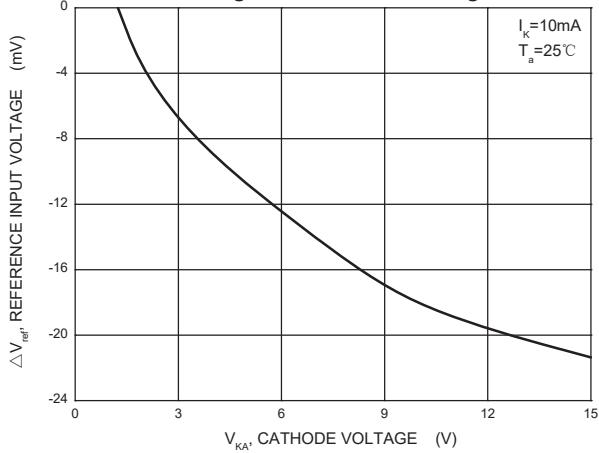
NOTE: It is strongly recommended to connect a capacitor(value more than $0.1\mu\text{F}$) at the output pin to smooth the output. The capacitor should be placed as close as possible to the output pin, with the shortest path to GND.

Typical Characteristics



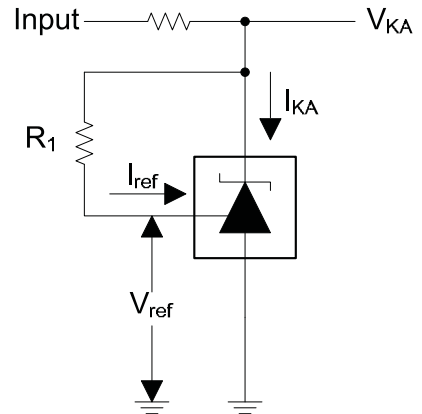
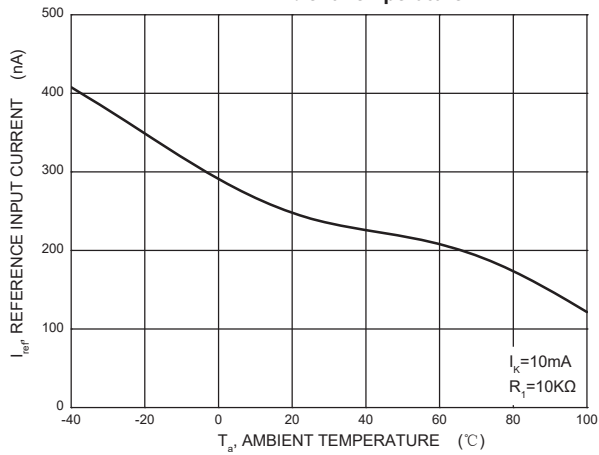
Typical Characteristics

Change in Reference Input Voltage versus Cathode Voltage



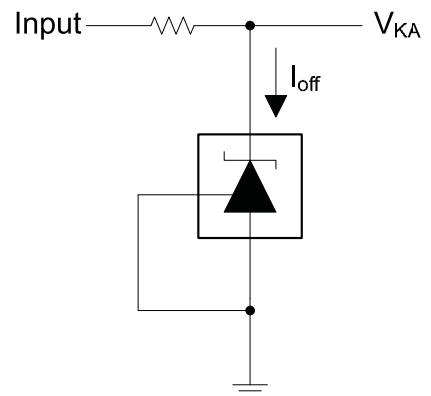
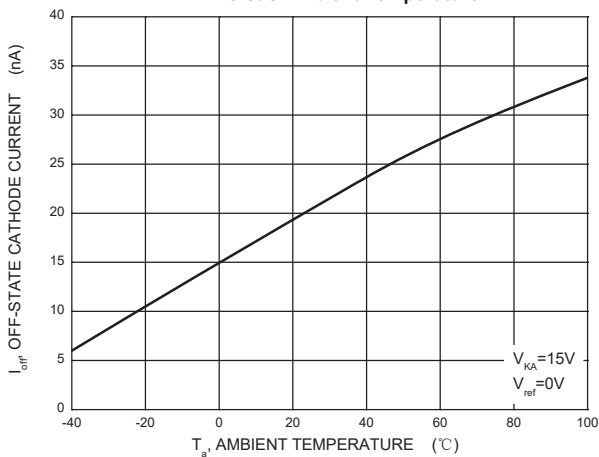
Test Circuit for $V_{KA} = V_{ref}(1 + R_1/R_2) + R_1 \cdot I_{ref}$

Reference Input Current versus Ambient Temperature



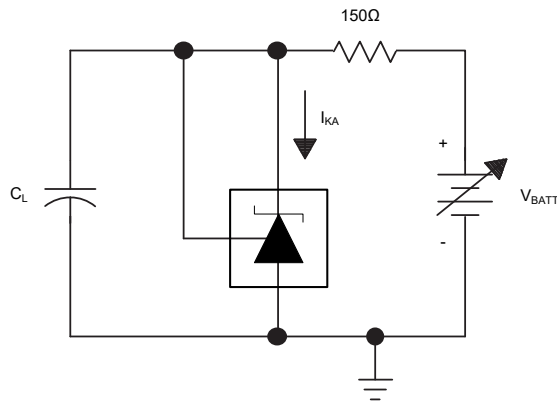
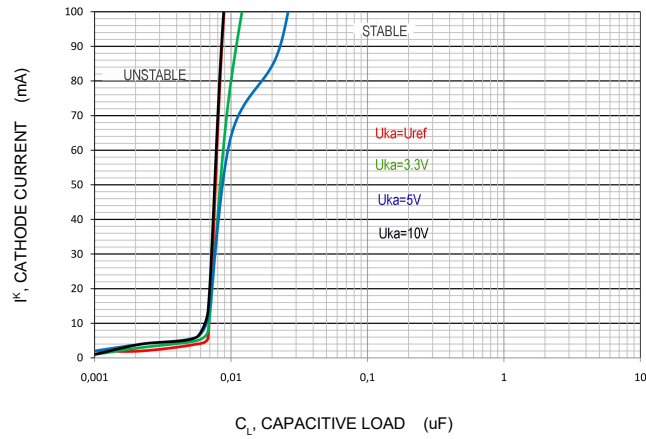
Test Circuit for I_{ref}

Off-State Cathode Current versus Ambient Temperature

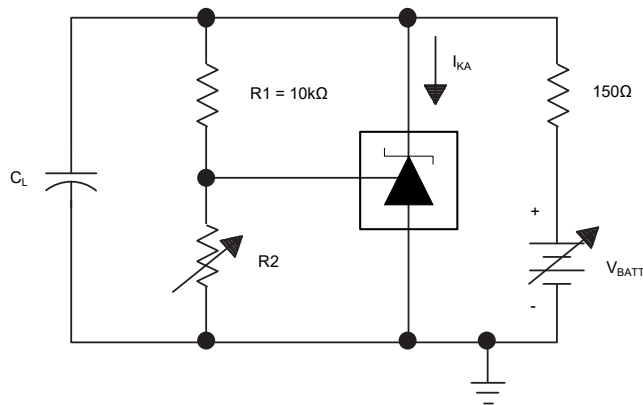


Test Circuit for I_{off}

Stability Behavior with Capacitive Loads

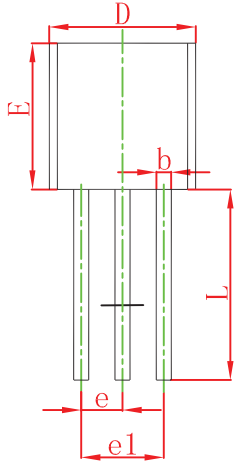
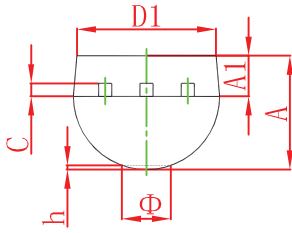


Test Circuit for Curve $U_{ka} = U_{ref}$



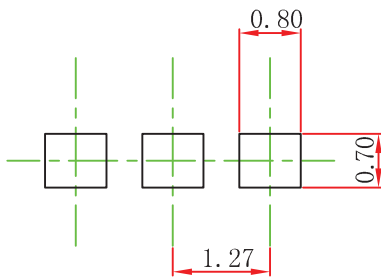
Test Circuit for Curve $U_{ka} = 3.3\text{V}$, $U_{ka} = 5\text{V}$ and $U_{ka} = 10\text{V}$

TO-92 Package Outline Dimensions



Symbol	Dimensions In Millimeters		Dimensions In Inches	
	Min	Max	Min	Max
A	3.300	3.700	0.130	0.146
A1	1.100	1.400	0.043	0.055
b	0.380	0.550	0.015	0.022
c	0.360	0.510	0.014	0.020
D	4.300	4.700	0.169	0.185
D1	3.430		0.135	
E	4.300	4.700	0.169	0.185
e	1.270 TYP		0.050 TYP	
e1	2.440	2.640	0.096	0.104
L	14.100	14.500	0.555	0.571
r		1.600		0.063
h	0.000	0.380	0.000	0.015

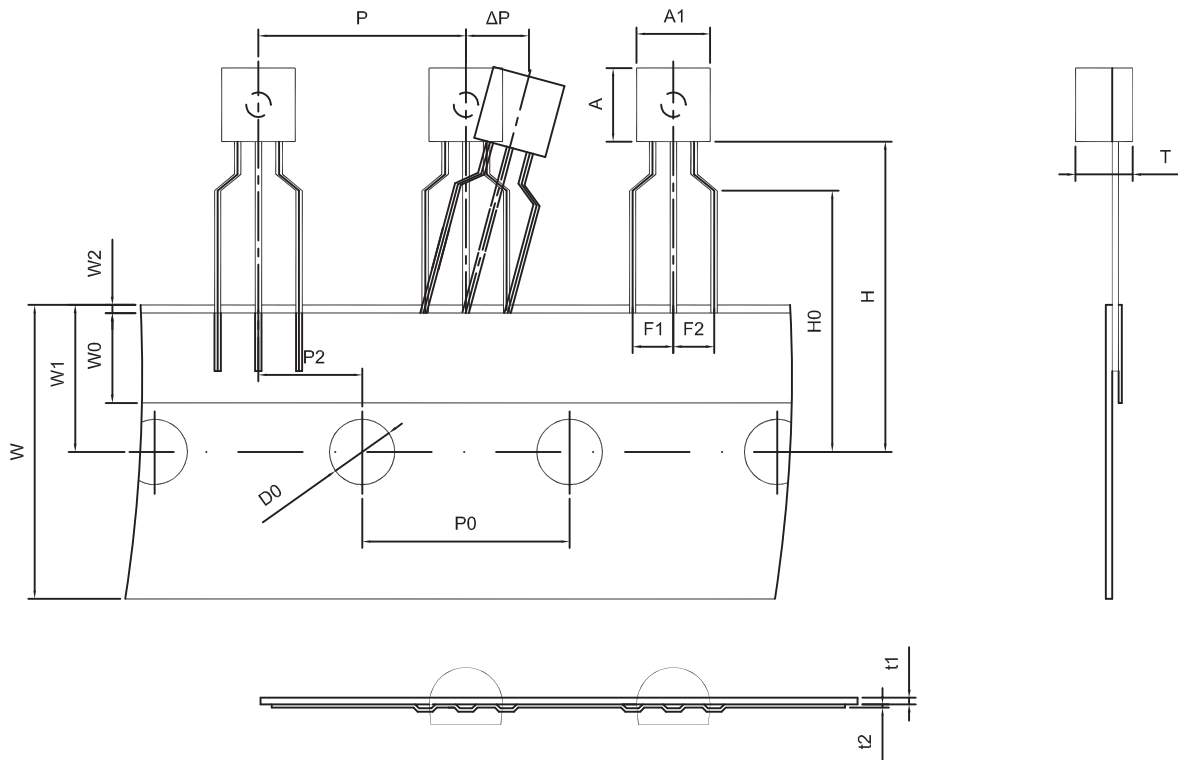
TO-92 Suggested Pad Layout



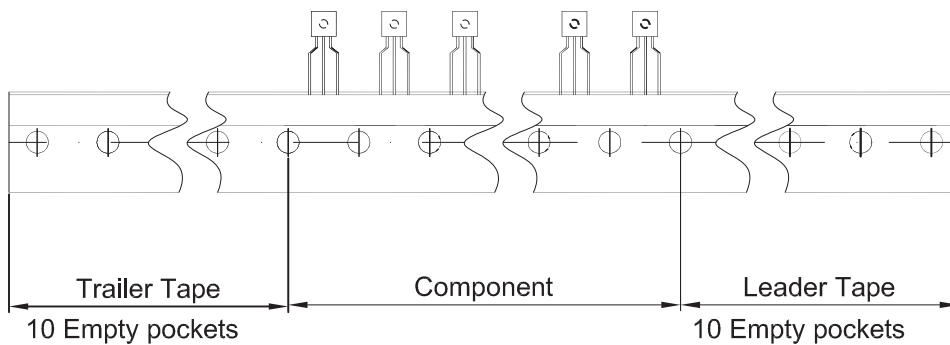
Note:

1. Controlling dimension: in millimeters.
2. General tolerance: $\pm 0.05\text{mm}$.
3. The pad layout is for reference purposes only.

TO-92 PACKAGE TAPEING DIMENSION



Dimiensions are in millimeter								
A1	A	T	P	P0	P2	F1	F2	W
4.5	4.5	3.5	12.7	12.7	6.35	2.5	2.5	18.0
W0	W1	W2	H	H0	D0	t1	t2	ΔP
6.0	9.0	1.0 MAX.	19.0	16.0	4.0	0.4	0.2	0



Package	Box	Box Size(mm)	Carton	Carton Size(mm)
TO-92	2000 pcs	333×162×43	20,000 pcs	350×340×250

DISCLAIMER

IMPORTANT NOTICE, PLEASE READ CAREFULLY

The information in this data sheet is intended to describe the operation and characteristics of our products. JSCJ has the right to make any modification, enhancement, improvement, correction or other changes to any content in this data sheet, including but not limited to specification parameters, circuit design and application information, without prior notice.

Any person who purchases or uses JSCJ products for design shall: 1. Select products suitable for circuit application and design; 2. Design, verify and test the rationality of circuit design; 3. Procedures to ensure that the design complies with relevant laws and regulations and the requirements of such laws and regulations. JSCJ makes no warranty or representation as to the accuracy or completeness of the information contained in this data sheet and assumes no responsibility for the application or use of any of the products described in this data sheet.

Without the written consent of JSCJ, this product shall not be used in occasions requiring high quality or high reliability, including but not limited to the following occasions: medical equipment, automotive electronics, military facilities and aerospace. JSCJ shall not be responsible for casualties or property losses caused by abnormal use or application of this product.

Official Website: www.jscj-elec.com

Copyright © JIANGSU CHANGJING ELECTRONICS TECHNOLOGY CO., LTD.